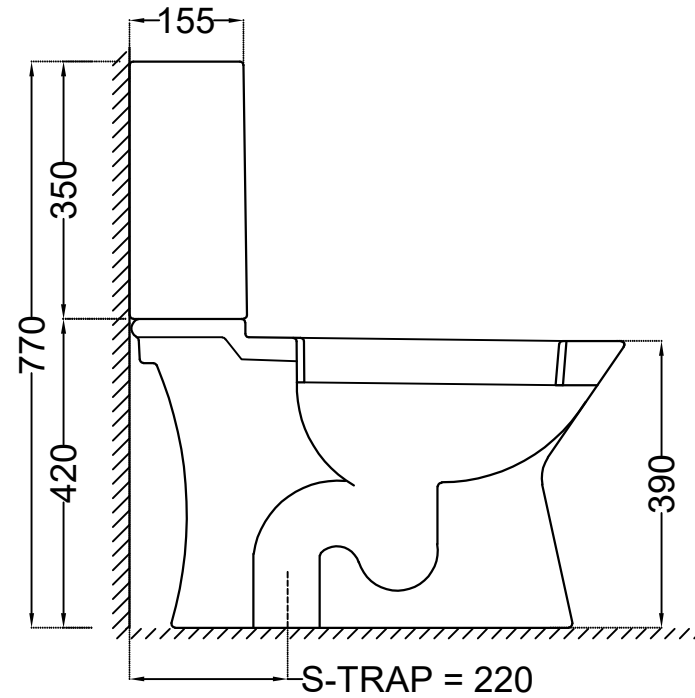



TOP VIEW



SIDE VIEW

| | | |
|---|--|--------------------------|
|  <p>Jaquar Group Global Headquarters Plot No. 3, Sector- M-11, IMT Manesar Gurgaon, NCR - 122050, India E-mail : Sales: support@jaquar.com Customer Service : service@jaquar.com</p> | ITEM CODE | CNS-WHT-755S220SPPZ |
| | ITEM TYPE | COUPLED WC S-TRAP-220 MM |
| | ITEM SIZE | 365X680X770 mm |
| | ALL DIMENSIONS ARE IN MM. (TOLERANCE ± 5 MM) | |