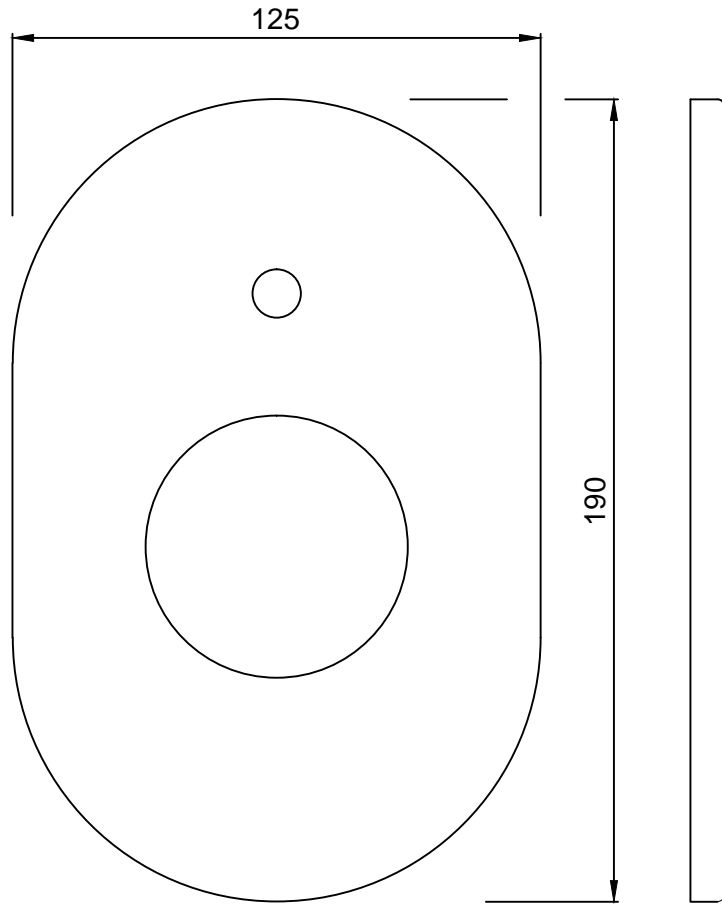
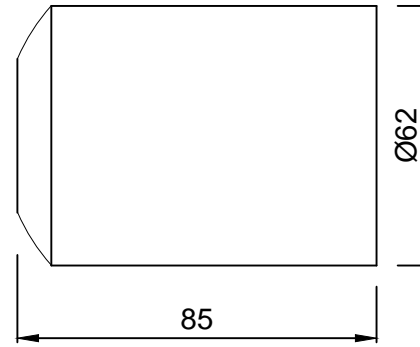


Single Lever Exposed Parts Kit of Hi-flow Diverter Consisting of Operating Lever, Cartridge Sleeve, Wall Flange (with Seals), Button Assembly Sleeve & Button (Compatible with ALD-079N)

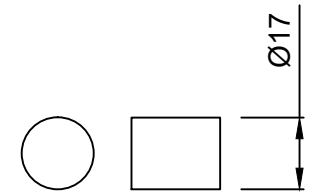
Cat. No. LAG-91079NK



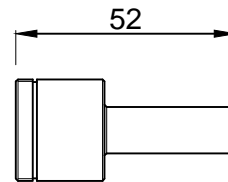
WALL FLANGE



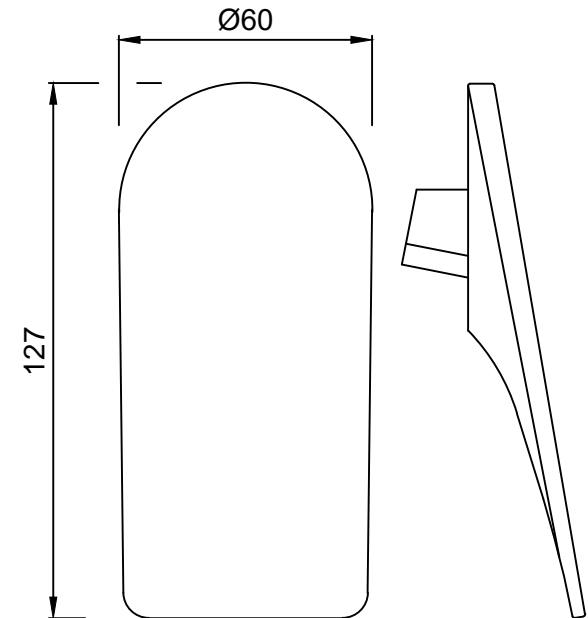
SLEEVE



DIVERTER BUTTON



BUTTON SLEEVE



HANDLE