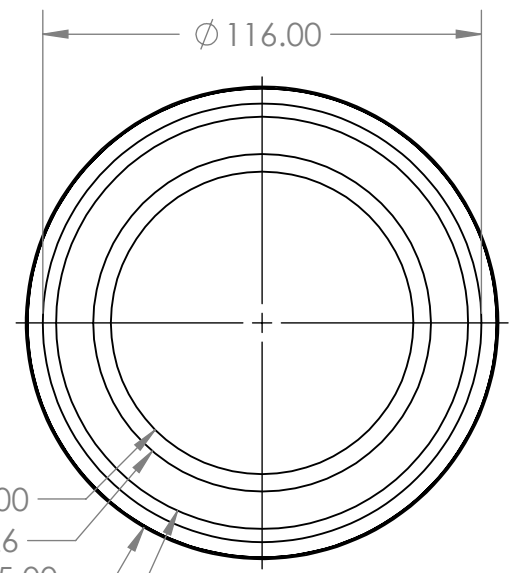
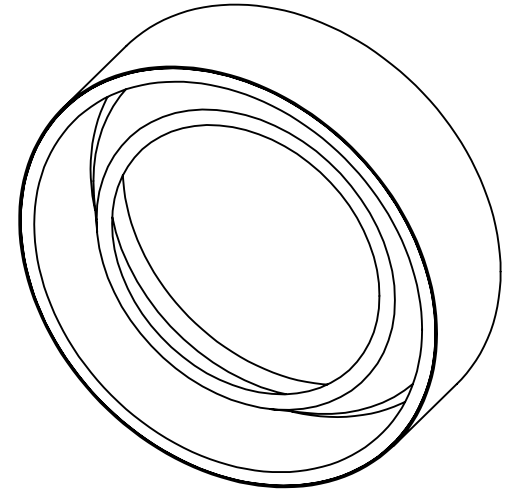


6 5 4 3 2 1

D



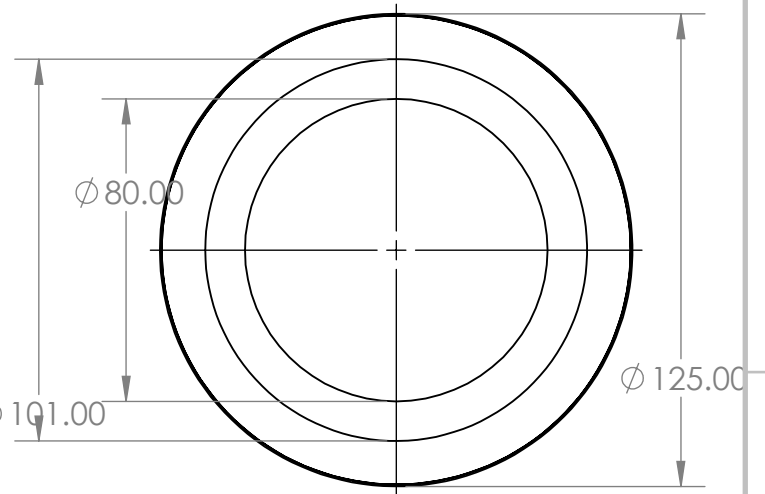
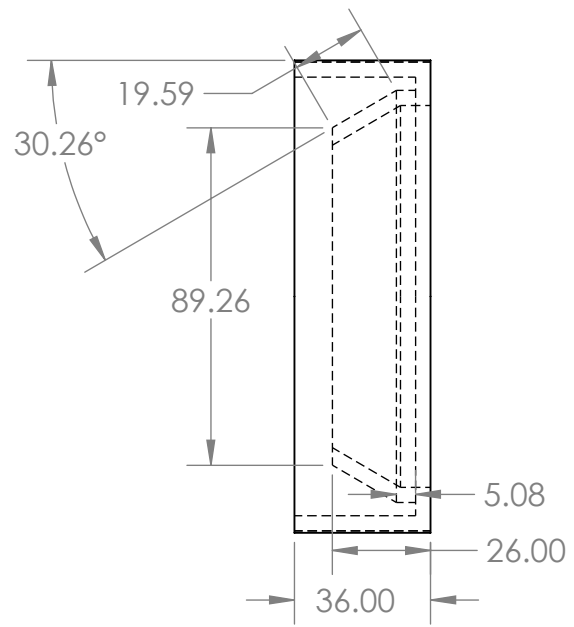
ϕ 116.00
 ϕ 80.00
 ϕ 89.26
 ϕ 109.00
 ϕ 125.00

C

D

C

B



ϕ 101.00
 ϕ 80.00
 ϕ 125.00

B

A

A

Outlet Gasket

6 5 4 3 2 1