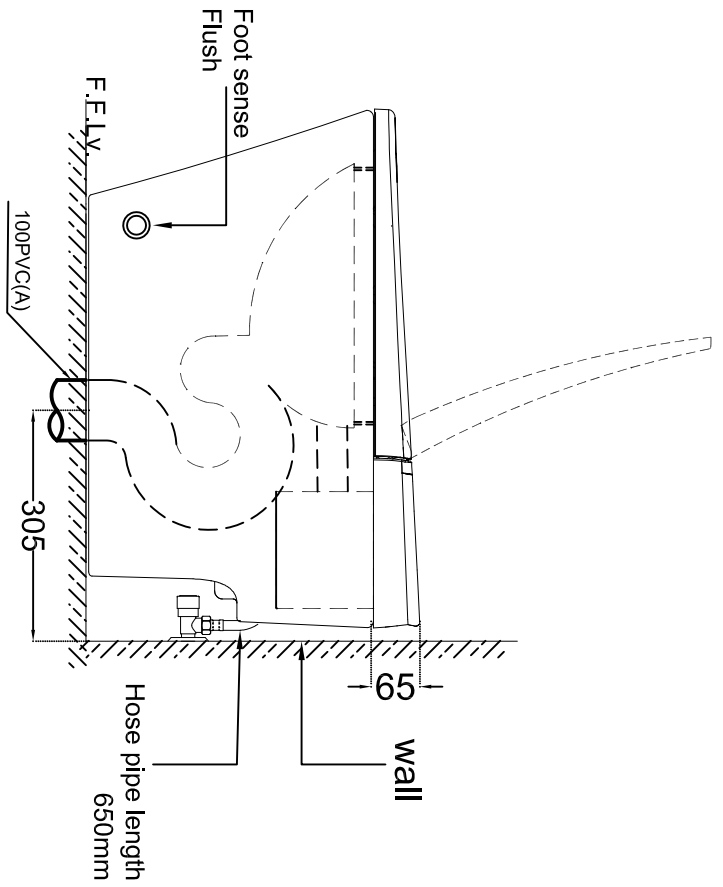
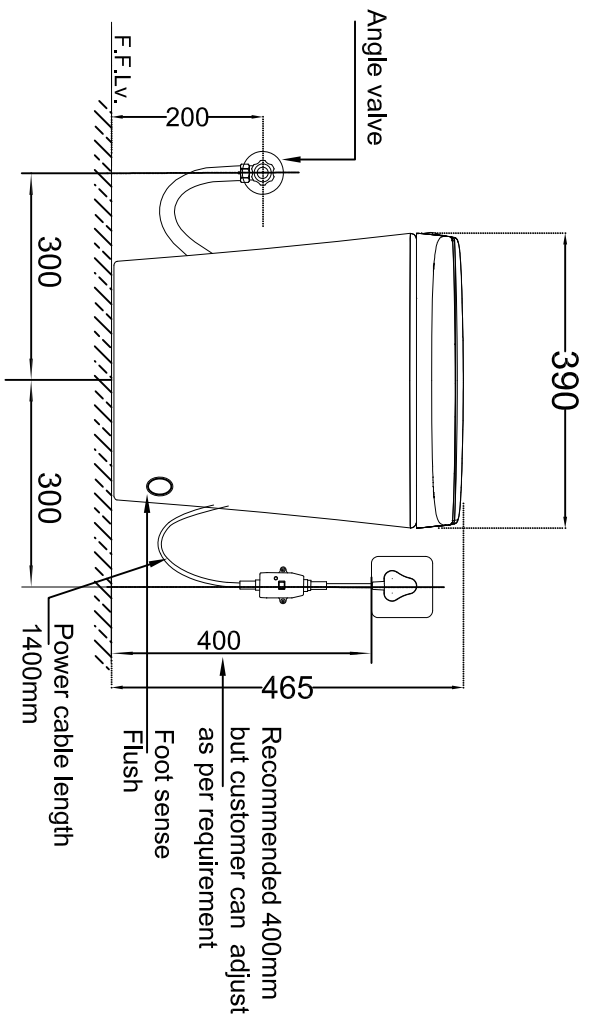


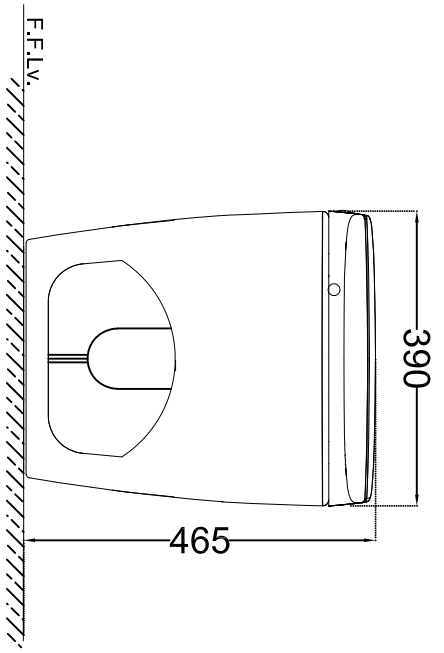
TOP VIEW



SIDE VIEW



FRONT VIEW



BACK VIEW



Jaquar Group

Global Headquarters
 Plot No. 3, Sector- M-11, IMT Manesar
 Gurgoon, NCR - 122050, India
 E-mail : Sales: support@jaquar.com
 Customer Service : service@jaquar.com

ITEM CODE	ITEM TYPE	ITEM SIZE
ITS-BLM-89853S300PPPMAT	SINGLE PIECE WC S TRAP-300 MM	390 X 685 X 465 mm

ALL DIMENSIONS ARE IN MM. (TOLERANCE ± 5 MM)

Recommended 400mm
 but customer can adjust
 as per requirement