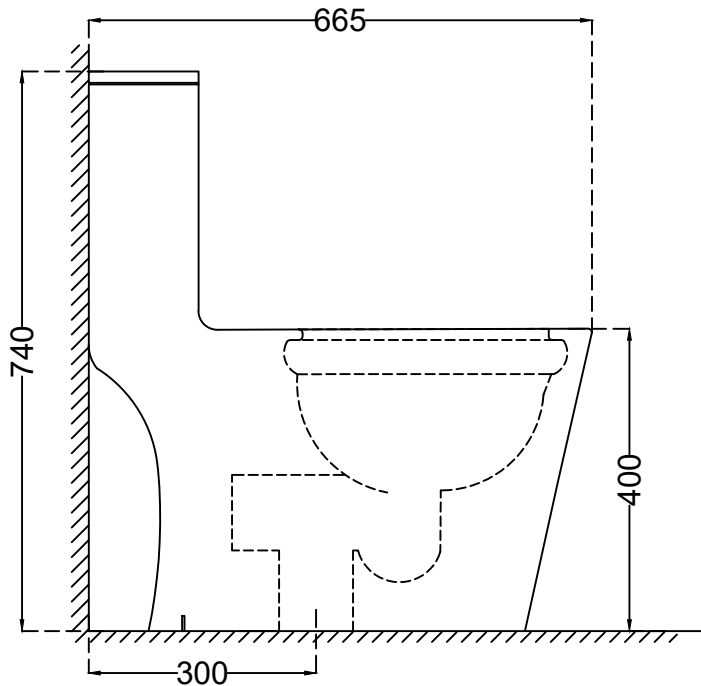
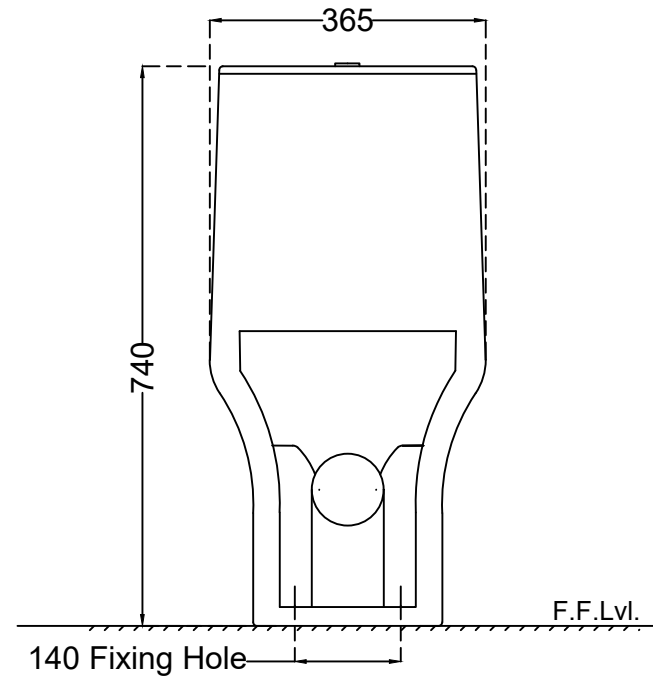


TOP VIEW



SIDE VIEW



BACK VIEW

	Jaquar Group Global Headquarters Plot No. 3, Sector- M-11, IMT Manesar Gurgaon, NCR - 122050, India E-mail : Sales: support@jaquar.com Customer Service : service@jaquar.com		ITEM CODE	CNS-WHT-855S300SPPSM
			ITEM TYPE	Single piece-WC (S trap 300 mm)
			ITEM SIZE	365X665X740 mm
	ALL DIMENSIONS ARE IN MM. (TOLERANCE ± 5 MM)			