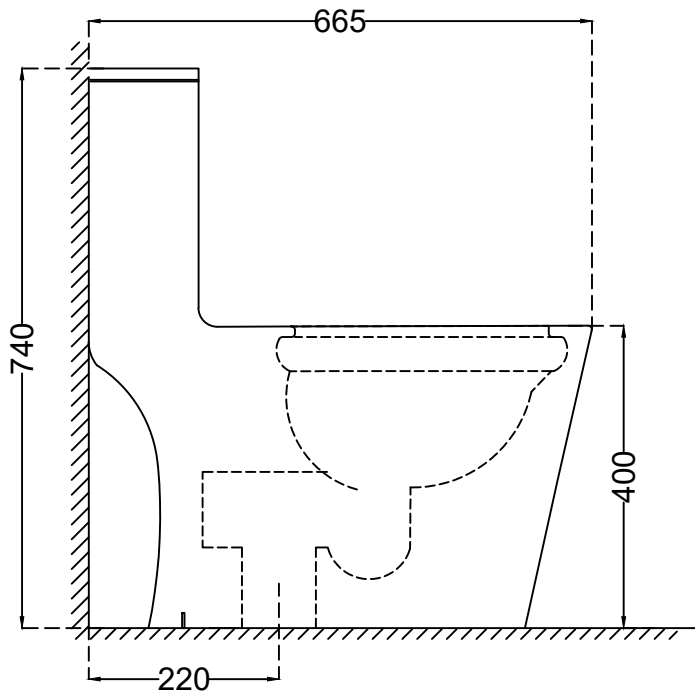
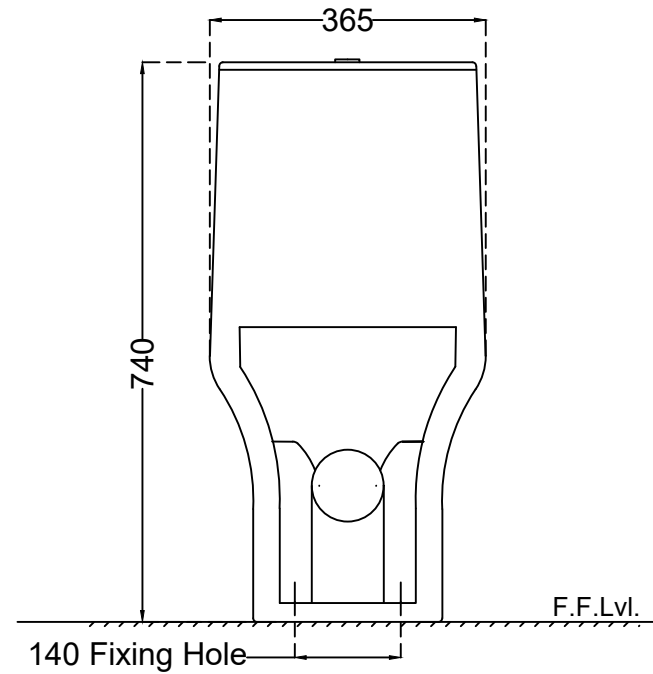



TOP VIEW



SIDE VIEW



BACK VIEW

| | | | | |
|---------------------------------------------------------------------------------------|----------------------------------------------------------------------------------------------------------------------------------------------------------------------------------------------------|--|-----------|----------------------------------|
|  | Jaquar Group Global Headquarters Plot No. 3, Sector- M-11, IMT Manesar Gurgaon, NCR - 122050, India E-mail : Sales: support@jaquar.com Customer Service : service@jaquar.com | | ITEM CODE | CNS-WHT-855S220SPPSM |
| | | | ITEM TYPE | Single piece-WC (S trap 220 mm) |
| | | | ITEM SIZE | 365X665X750 mm |
| | ALL DIMENSIONS ARE IN MM. (TOLERANCE ± 5 MM) | | | |