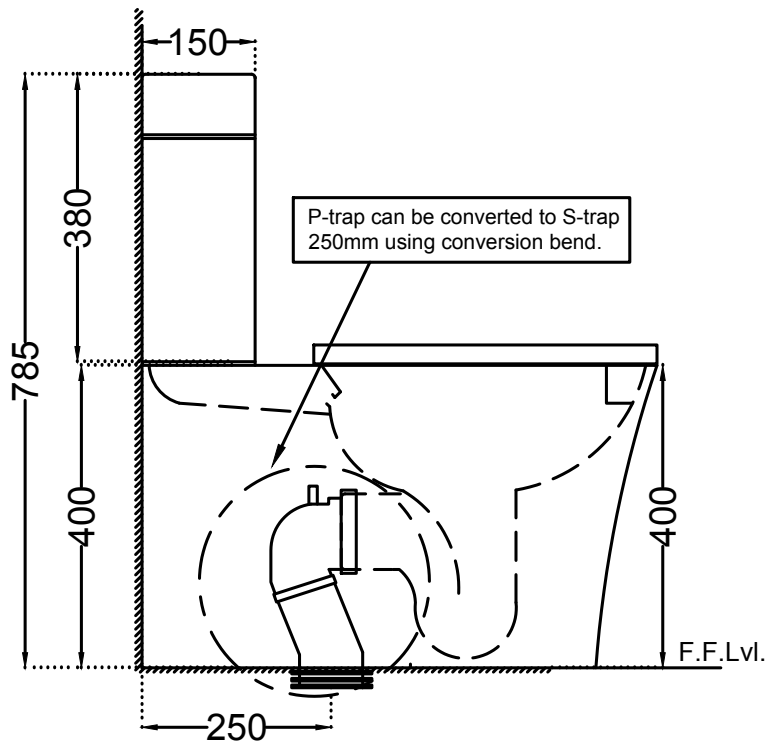
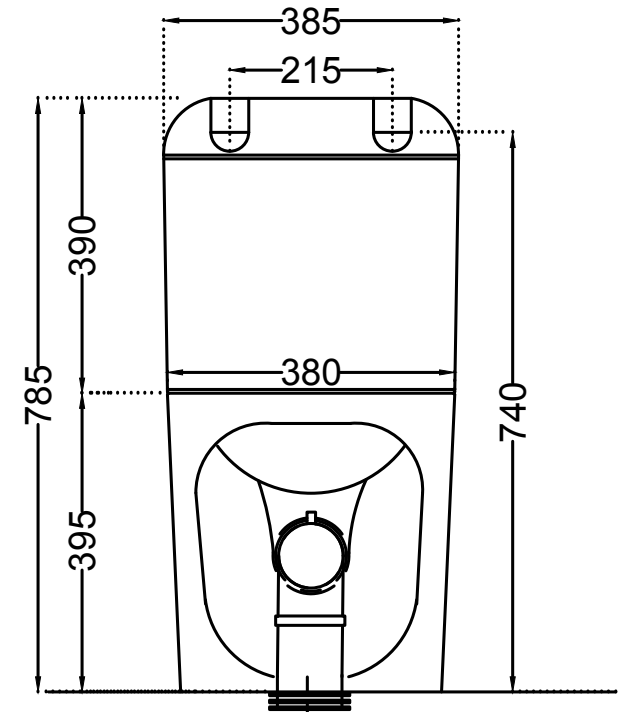



TOP VIEW



SIDE VIEW



BACK VIEW

	<b>Jaquar Group</b> Global Headquarters Plot No. 3, Sector- M-11, IMT Manesar Gurgaon, NCR - 122050, India E-mail : Sales: support@jaquar.com Customer Service : service@jaquar.com		ITEM CODE	OPS-WHT-15753S250UFPMZ
	ITEM TYPE	COUPLED WC S-TRAP-250 MM With Conversion Bend		
	ITEM SIZE	385x680x785 mm		
	ALL DIMENSIONS ARE IN MM. (TOLERANCE ± 5 MM)			