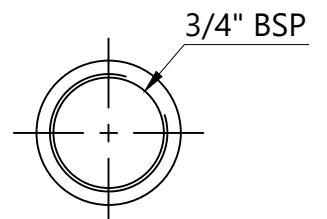
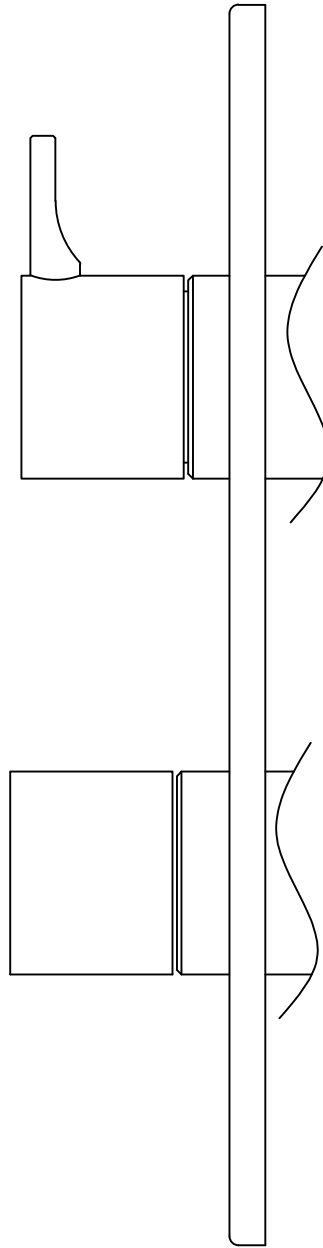
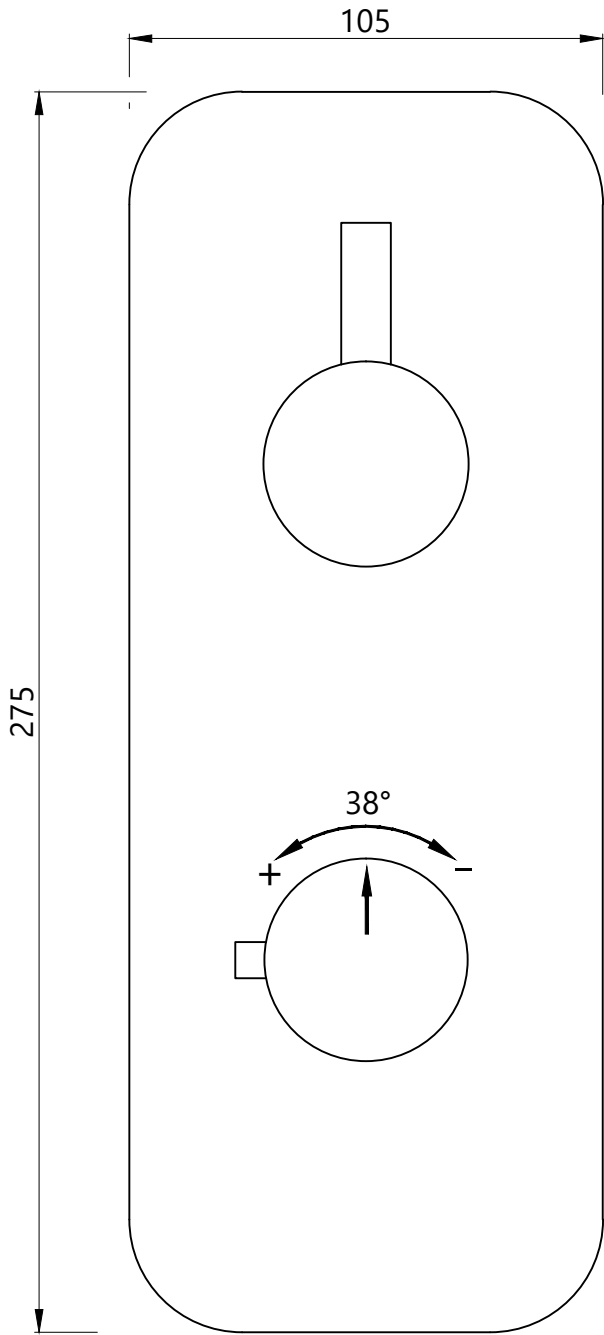


Cat. No.-FLP-5661KPM



Min.63
Max.83

