

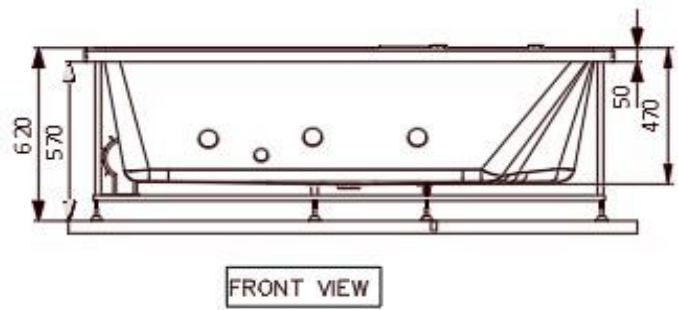
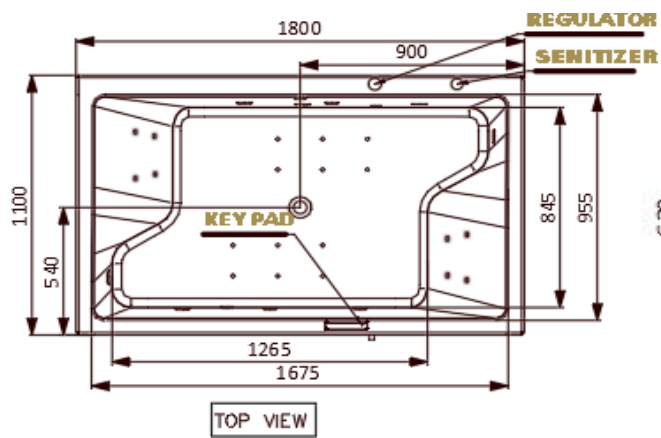


Range Name	Kubix Prime
Category	Whirlpool Combi with Filtration system
Code:	JWP-WHT-KUBIXPM180FLTCX



Image is only for illustration purpose

Size (mm):	1800 x 1100 x 470	Features	Water Pump : 1.40 Hp@50 Hz Water Jets : 8 Back Jet : 4 Air Blower : 0.90 Hp @50/60HzAir Jets : 16 Keypad Control Air Regulator Water Level Sensor Chromotherapy Disinfection System Vacuum Suction Breaker 3 Tier Testing Heater : 1.5KW Circulation pump: 120Watt UV Filtration Ozone Mesh Filter Carbon Filter Thermic cover
Material:	Acrylic PMMA		
Reinforcement:	PU GREEN		
Accessories Included:	- Drain & Overflow with Filler - Frame SS202 - Headrest		
Accessories Excluded:	Front Panel : JWA-WHT-FP180X Side Panel: JWA-WHT-SP110X		



A: Filtration side view



B: Heater side view

