

LYRASS 5W

LYRASS

Projector Lights

Product Code:

4699LL5H.BRZ

5W - 250lm - 3000K - CRI>80 Ra - Beam Angle 30°



Technical Specifications

Operating Temperature	-10°C to 50°C
Rated Input Voltage & Frequency	230 VAC, 50Hz
Rated Input Wattage	5W ± 10%
Rated Input Current	0.05 Amp (Nominal)
Power Factor	≥0.5
Rated Luminous Flux	250 lm (tolerance as per BIS)
Rated Luminaire Efficacy	50 lm/W (tolerance as per BIS)
Correlated Color Temperature (CCT)	3000 K (tolerance as per ANSI)
Color Rendering Index (CRI)	>80 Ra
Beam Angle	30° (within the permissible limits)
Driver Efficiency	≥70%
LED Life Span	>50000 Hrs (Ta=25°C @L70)
Housing	Die Cast Aluminium with grey finish
Lens / Reflector	Transparent Glass Diffuser
Mounting	Surface

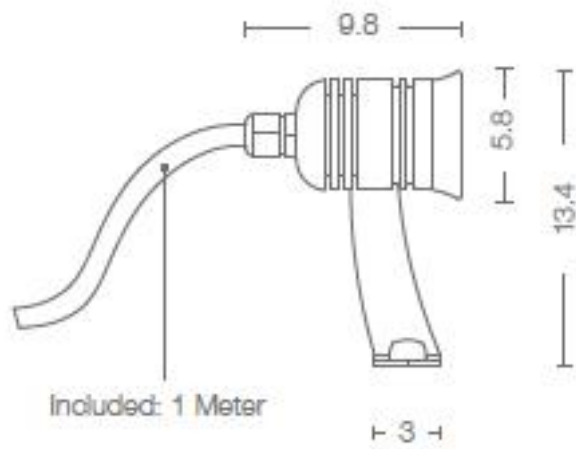
Protections

Over Voltage Protection	Withstand upto 300V/AC for 20 Min.
Surge Protection	±2.0KV
Protection Class	Class II
Ingress Protection (IP Rating)	IP67
Impact Protection (IK Rating)	IK08
Short Circuit Protection	Provided
Open Circuit Protection (No Load)	Provided
Reverse Polarity Protection	Provided

All technical data is subject to industry-standard tolerances.

Product Dimensions (Dia. X L X H)

Ø58 X 98 X 134 mm



Applications

Façade lighting, Accent lighting, Atriums and columns,
Architectural lighting, Varied beam angle applications