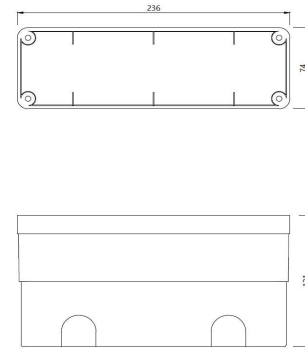


Thermostatic Shower Mixer Body



Touch Control Panel Plastic Box

<b>Product Code</b>	QLD-CHR-309661C
<b>Description</b>	QLOUD Thermostatic Shower Mixer Body and Touch Control Panel Plastic box for Concealed installation
<b>Flow Rate</b>	53.00 LPM @ 3 bar
<b>Recommended Water Pressure</b>	1.0 Bar- 6.0 bar
<b>Water Connections</b>	Inlet and Outlet : 3/4" BSP/20mm
<b>Material Specification in Percentage</b>	<p><b>Brass Ingots as per IS:1264-1997</b> Cu (58.0-63.0), Sn (0.0-1.0), Pb (0.5-2.5), Ni (0.0-1.0), Al (0.2-0.8), Mn (0.0-0.5), Total Impurity (0.0-2.0), Zn (Remainder)</p> <p><b>Brass Rod as per IS:319-1989</b> Cu (56.0-59.0), Pb (2.0-3.5), Fe (0.0-0.35), Total Impurity (0.0-0.7), Zn (Remainder)</p>
<b>Specification</b>	<ul style="list-style-type: none"> <li>• Cartridges made of high performance thermostatic polymer materials that meet the global standards for high and low pressure</li> <li>• High technology thermoplastic polymer minimises lime-scale build up</li> <li>• Standard temperature range: 15° C to 60° C (59-104°F)</li> <li>• Shower mixer contains ceramic cartridge for ON &amp; OFF function.</li> <li>• Protected against backflow</li> </ul>
<b>Available Colour Finishing</b>	CHROME (CHR)
* As per in-house testing done on automatic life cycle testing machine made by Giussani, Italy	
DISCLAIMER: Our every effort has been made to ensure factual accuracy, the information presented subject to changes due to requirements in different sites, markets and/ or countries. 10% variation in flow rate may be possible. Jaquar reserves the right to make the necessary amendments at any time without prior notice.	