



BATH + LIGHT



**SPIKE LIGHT 3W**

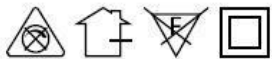
Rigel LED Spike Light

**Outdoor Luminaire**

**Product Code:**

LSPK06R103SW

3W - 195lm - 3000K - CRI>80 Ra - Beam Angle - 50°



**Technical Specifications**

Operating Temperature	-10°C to 50°C
Rated Input Voltage & Frequency	220-240 V AC, 50Hz
Rated Input Wattage	3W ± 10%
Rated Input Current	0.030 Amp (Nominal)
Power Factor	>0.5
Rated Luminous Flux	195 lm (tolerance as per BIS)
Rated Luminaire Efficacy	65 lm/W (tolerance as per BIS)
Correlated Color Temperature (CCT)	3000 K (tolerance as per ANSI)
Color Rendering Index (CRI)	>80 Ra
Beam Angle	50° (within the permissible limits)
Driver Efficiency	≥70%
LED Life Span	>50000 Hrs (Ta=25°C @L70)
Housing	Aluminium Die Cast
Lens / Reflector	Transparent/ Clear Glass Diffuser
Mounting	Surface

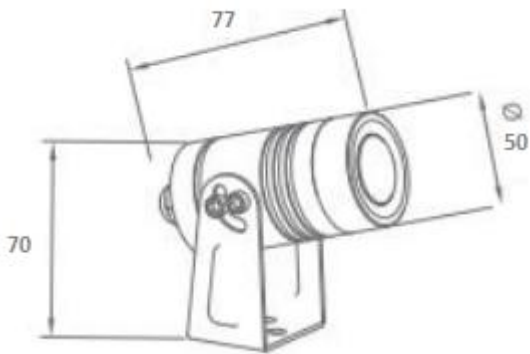
**Protections**

Over Voltage Protection	300 V AC upto 20 Min.
Surge Protection	±2.0KV
Protection Class	Class II
Ingress Protection (IP Rating)	IP65
Impact Protection (IK Rating)	IK07
Short Circuit Protection	Provided
Open Circuit Protection (No Load)	Provided
Reverse Polarity Protection	Provided

All technical data is subject to industry-standard tolerances.

## Product Dimensions (Dia. x W x H)

Ø50 X 77 X 70 mm (tol.±5 mm)



## Applications

Residences, Offices, Small Retail Shops, Hotels, Coffee Shops, Restaurants, Hospitals, area lighting and for other outdoor applications.