

ORELLI SLIM 24W

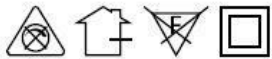
Orelli Slim Magnetic Track Light

Indoor Luminaire

Product Code:

LORLS24R24XC / LORLS24R24XN / LORLS24R24XW

24W - 2040lm - 6500K - CRI>80 Ra - Beam Angle 24°



Technical Specifications

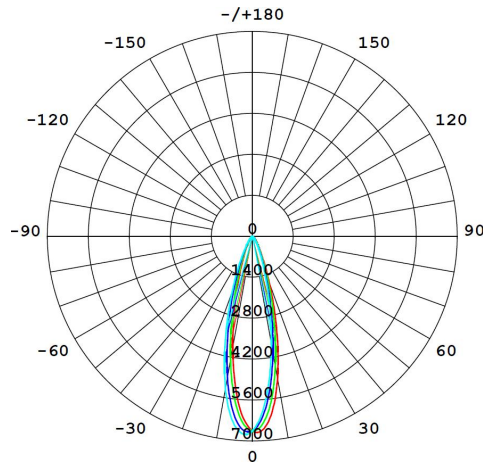
Operating Temperature	-10°C to 45°C
Rated Input Voltage & Frequency	48V DC
Rated Input Wattage	24W ± 10%
Rated Input Current	0.50 Amp (Nominal)
Rated Luminous Flux	2040 lm / 1920 lm / 1800 lm (tolerance as per BIS)
Rated Luminaire Efficacy	85 lm/W / 80 lm/W / 75 lm/W (tolerance as per BIS)
Correlated Color Temperature (CCT)	6500 K / 4000 K / 3000 K (tolerance as per ANSI)
Color Rendering Index (CRI)	>80 Ra
Beam Angle	24° (within the permissible limits)
Driver Efficiency	≥88%
LED Life Span	>50000 Hrs (Ta=25°C @L70)
Housing	Die Cast Aluminium & Polycarbonate
Lens / Reflector	Polycarbonate Clear Diffuser with Lens
Mounting	Surface with Magnetic Track Channel

Protections

Surge Protection	±2.0KV
Ingress Protection (IP Rating)	IP20
Short Circuit Protection	Provided
Open Circuit Protection (No Load)	Provided
Reverse Polarity Protection	Provided

All technical data is subject to industry-standard tolerances.

Light Distribution

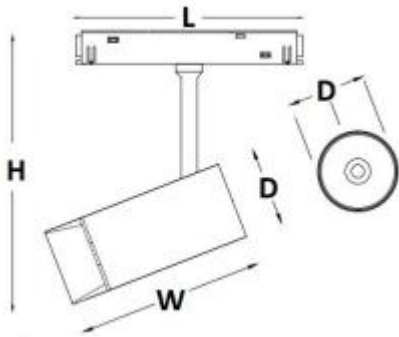


UGR Table

ceiling/cavity	0.7	0.7	0.5	0.5	0.3	0.7	0.7	0.5	0.5	0.3
walls	0.5	0.3	0.5	0.3	0.3	0.5	0.3	0.5	0.3	0.3
working plane	0.2	0.2	0.2	0.2	0.2	0.2	0.2	0.2	0.2	0.2
Room dimensions	Viewed crosswise					Viewed endwise				
x = 2H y = 2H	19.0	19.8	19.2	19.9	20.1	17.5	18.3	17.8	18.5	18.6
3H	18.9	19.6	19.1	19.8	20.0	17.4	18.1	17.7	18.3	18.5
4H	18.8	19.5	19.1	19.7	19.9	17.3	18.0	17.6	18.2	18.4
6H	18.7	19.4	19.0	19.6	19.8	17.3	17.9	17.5	18.1	18.4
8H	18.7	19.3	19.0	19.5	19.8	17.2	17.8	17.5	18.1	18.3
12H	18.6	19.2	18.9	19.5	19.8	17.2	17.8	17.5	18.0	18.3
4H 2H	18.8	19.5	19.1	19.7	19.9	17.5	18.1	17.7	18.3	18.6
3H	18.7	19.3	19.0	19.6	19.8	17.3	17.9	17.6	18.2	18.4
4H	18.6	19.2	19.0	19.5	19.8	17.2	17.8	17.6	18.1	18.4
6H	18.5	19.0	18.9	19.3	19.7	17.1	17.6	17.5	17.9	18.3
8H	18.5	18.9	18.9	19.3	19.6	17.1	17.5	17.5	17.9	18.2
12H	18.4	18.8	18.8	19.2	19.6	17.0	17.4	17.4	17.8	18.2
8H 4H	18.5	18.9	18.9	19.3	19.6	17.1	17.5	17.5	17.9	18.2
6H	18.4	18.7	18.8	19.1	19.5	17.0	17.3	17.4	17.7	18.1
8H	18.3	18.6	18.8	19.1	19.5	16.9	17.2	17.3	17.6	18.1
12H	18.3	18.5	18.7	19.0	19.4	16.8	17.1	17.3	17.6	18.0
12H 4H	18.4	18.8	18.8	19.2	19.6	17.0	17.4	17.4	17.8	18.2
6H	18.3	18.6	18.8	19.1	19.5	16.9	17.2	17.3	17.6	18.1
8H	18.3	18.5	18.7	19.0	19.4	16.8	17.1	17.3	17.6	18.0
Variations with the observer position at spacings (CIE Pub.117) :										
S = 1.0H	+ 2.5 / - 4.8					+ 2.1 / - 5.2				
1.5H	+ 3.5 / - 3.8					+ 2.7 / - 3.3				
2.0H	+ 4.7 / - 5.3					+ 4.1 / - 5.0				

Product Dimensions (L x W x H), Light Dia. (D)

118 X 160 X 185 mm (Tol. ± 5 mm), $\text{\O}70$ mm (Tol. ± 2 mm)



Applications

Residences, Offices, Small Retail Shops, Hotels, Coffee Shops, Restaurants, Hospitals, area lighting and for other indoor applications.