

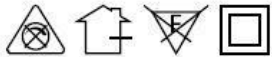
ORELLI SLIM 7W

Orelli Slim Magnetic Track Light

Indoor Luminaire

Product Code:

LORLS24R07XC / LORLS24R07XN / LORLS24R07XW
7W - 420lm - 6500K - CRI>80 Ra - Beam Angle 36°



Technical Specifications

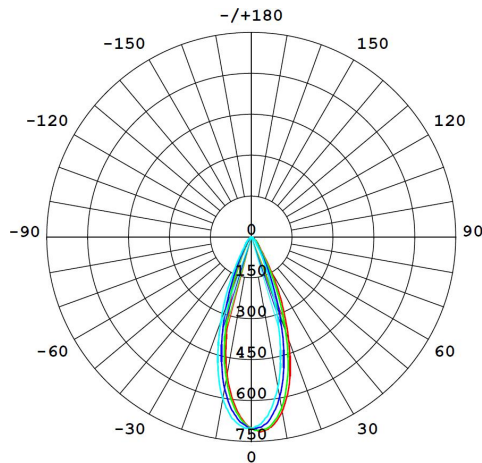
| | |
|------------------------------------|--|
| Operating Temperature | -10°C to 40°C |
| Rated Input Voltage & Frequency | 48V DC |
| Rated Input Wattage | 7W ± 10% |
| Rated Input Current | 0.150 Amp (Nominal) |
| Rated Luminous Flux | 420 lm / 385 lm / 350 lm (tolerance as per BIS) |
| Rated Luminaire Efficacy | 60 lm/W / 55 lm/W / 50 lm/W (tolerance as per BIS) |
| Correlated Color Temperature (CCT) | 6500 K / 4000 K / 3000 K (tolerance as per ANSI) |
| Color Rendering Index (CRI) | >80 Ra |
| Beam Angle | 36° (within the permissible limits) |
| Driver Efficiency | ≥88% |
| LED Life Span | >50000 Hrs (Ta=25°C @L70) |
| Housing | Die Cast Aluminium & Polycarbonate |
| Lens / Reflector | Polycarbonate Clear Diffuser with Lens |
| Mounting | Surface with Magnetic Track Channel |

Protections

| | |
|-----------------------------------|----------|
| Surge Protection | ±2.5KV |
| Ingress Protection (IP Rating) | IP20 |
| Short Circuit Protection | Provided |
| Open Circuit Protection (No Load) | Provided |
| Reverse Polarity Protection | Provided |

All technical data is subject to industry-standard tolerances.

Light Distribution



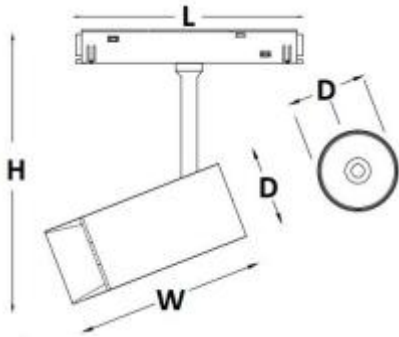
UGR Table

| | | | | | | | | | | | |
|--|------------------|------|------|------|------|----------------|------|------|------|------|------|
| ceiling/cavity | 0.7 | 0.7 | 0.5 | 0.5 | 0.3 | 0.7 | 0.7 | 0.5 | 0.5 | 0.3 | |
| walls | 0.5 | 0.3 | 0.5 | 0.3 | 0.3 | 0.5 | 0.3 | 0.5 | 0.3 | 0.3 | |
| working plane | 0.2 | 0.2 | 0.2 | 0.2 | 0.2 | 0.2 | 0.2 | 0.2 | 0.2 | 0.2 | |
| Room dimensions | Viewed crosswise | | | | | Viewed endwise | | | | | |
| x = 2H y = 2H | 22.6 | 23.5 | 22.9 | 23.7 | 23.8 | 19.7 | 20.6 | 19.9 | 20.7 | 20.9 | |
| 3H | 22.5 | 23.3 | 22.8 | 23.5 | 23.7 | 19.6 | 20.3 | 19.8 | 20.5 | 20.7 | |
| 4H | 22.4 | 23.2 | 22.7 | 23.4 | 23.6 | 19.5 | 20.2 | 19.7 | 20.4 | 20.6 | |
| 6H | 22.4 | 23.0 | 22.6 | 23.3 | 23.5 | 19.4 | 20.1 | 19.7 | 20.3 | 20.6 | |
| 8H | 22.3 | 23.0 | 22.6 | 23.2 | 23.5 | 19.3 | 20.0 | 19.6 | 20.3 | 20.5 | |
| 12H | 22.3 | 22.9 | 22.6 | 23.2 | 23.4 | 19.3 | 19.9 | 19.6 | 20.2 | 20.5 | |
| 4H | 2H | 22.5 | 23.3 | 22.8 | 23.5 | 23.7 | 19.8 | 20.5 | 20.1 | 20.8 | 21.0 |
| 3H | 22.4 | 23.0 | 22.7 | 23.3 | 23.6 | 19.6 | 20.3 | 19.9 | 20.5 | 20.8 | |
| 4H | 22.3 | 22.9 | 22.6 | 23.2 | 23.5 | 19.5 | 20.1 | 19.9 | 20.4 | 20.7 | |
| 6H | 22.2 | 22.7 | 22.6 | 23.0 | 23.4 | 19.4 | 20.0 | 19.8 | 20.3 | 20.6 | |
| 8H | 22.1 | 22.6 | 22.5 | 23.0 | 23.3 | 19.4 | 19.9 | 19.8 | 20.2 | 20.6 | |
| 12H | 22.1 | 22.5 | 22.5 | 22.9 | 23.3 | 19.3 | 19.8 | 19.7 | 20.1 | 20.5 | |
| 8H | 4H | 22.1 | 22.6 | 22.5 | 23.0 | 23.3 | 19.4 | 19.9 | 19.8 | 20.2 | 20.6 |
| 6H | 22.0 | 22.4 | 22.5 | 22.8 | 23.2 | 19.3 | 19.7 | 19.7 | 20.1 | 20.5 | |
| 8H | 22.0 | 22.3 | 22.4 | 22.8 | 23.2 | 19.2 | 19.6 | 19.7 | 20.0 | 20.4 | |
| 12H | 21.9 | 22.2 | 22.4 | 22.7 | 23.1 | 19.2 | 19.5 | 19.6 | 19.9 | 20.4 | |
| 12H | 4H | 22.1 | 22.5 | 22.5 | 22.9 | 23.3 | 19.3 | 19.8 | 19.7 | 20.1 | 20.5 |
| 6H | 22.0 | 22.3 | 22.4 | 22.8 | 23.2 | 19.2 | 19.6 | 19.7 | 20.0 | 20.4 | |
| 8H | 21.9 | 22.2 | 22.4 | 22.7 | 23.1 | 19.2 | 19.5 | 19.6 | 19.9 | 20.4 | |
| Variations with the observer position at spacings (CIE Pub.117): | | | | | | | | | | | |
| S = 1.0H | + 1.9 / - 2.4 | | | | | + 1.5 / - 2.6 | | | | | |
| 1.5H | + 2.7 / - 2.3 | | | | | + 1.1 / - 1.4 | | | | | |
| 2.0H | + 3.0 / - 4.3 | | | | | + 2.6 / - 4.8 | | | | | |

With our continuous efforts to upgrade the technology/product, all product specifications and data are subject to change without prior notice. We always try to maintain the accuracy of our product images, but due to different viewing conditions, the colors may vary. Images are only for indicative purpose.

Product Dimensions (L x W x H), Light Dia. (D)

118 X 80 X 120 mm (Tol. ± 5 mm), $\text{\O}35$ mm (Tol. ± 2 mm)



Applications

Residences, Offices, Small Retail Shops, Hotels, Coffee Shops, Restaurants, Hospitals, area lighting and for other indoor applications.