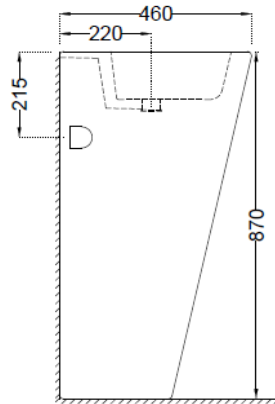
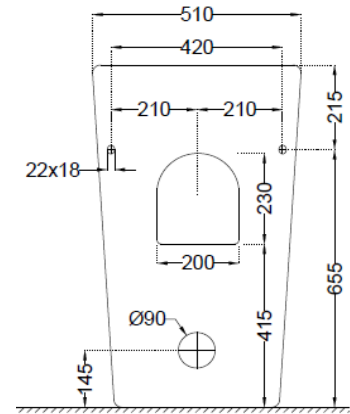


TOP VIEW



SIDE VIEW



BACK VIEW

General Information

Product Code	KUS-WHT-35401N
Brand	Jaquar
Colour	White
Type	Floor standing Basin
Material	Ceramic-Fine Fire Clay (FFC)

Product Specification

Product Dimension	510 X 460 X 870 mm
Basin Inner Dimension	410X280X120 mm
Product Net Weight	58 Kg
Product Gross Weight	61 Kg
Packaging Dimension	515x475x890 mm
Outlet	Vertical
Tap Hole And Outlet Hole Dimensions	Tap hole dia. $\varnothing 35 \pm 2$ mm
	Internal diameter of outlet hole dia. $\varnothing 45 +2/-1$ mm
	Horizontal distance between the centre line of the tap hole and the centre line of the waste outlet hole ≤ 155
Product Features	<ul style="list-style-type: none"> Straight Line Design in Rectangular shape Deep Bowl Area With Tap Hole And Overflow Hole Anti Bacterial Glaze on Ceramic Smooth Glaze Surface Product With Complete Genuine Accessories Material - Fine Fire Clay (FFC)

ACCESSORIES INCLUDED

Fixing screw	ZPS-MST-RB06
Overflow hole Cap	ZPS-WHT-9012B

QUALITY MANAGEMENT SYSTEM - ISO 9001

DISCLAIMER: Our every effort has been made to ensure factual accuracy, the information presented subject to changes due to requirements in different sites, markets and/ or countries. All dimensions are in mm (Tolerance ± 5 MM). Jaquar reserves the right to make the necessary amendments at any time without prior notice.