



LYS-WHT-38851S300UFSMN

SPECIFICATION DATA SHEET

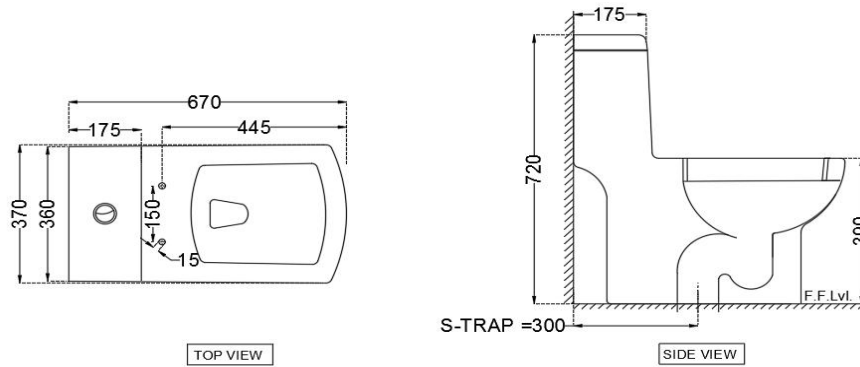
PRODUCT DETAILS

Manufacturer	Jaquar	Type:	Single piece-WC (S trap)
Colour	White	Flush valves	Dual Flush
Outlet	Vertical	Material:	Ceramic - Vitreous China
Technical Details	External diameter of outlet $\varnothing 80 +5/-2$ mm Horizontal distance between the wall line and the centre line of the waste outlet hole ≤ 300 mm		

PRODUCT IMAGE



TECHNICAL DRAWING



Product Dimension	370x670x720 mm	FEATURES Box rim , Elegant design, Dual Flush , Dual Flush-3/6 LPF,Anti germ glaze.
Trap Distance	S Trap - 300 mm	
Product Weight	42.5 Kg	

ACCESSORIES INCLUDED

UF soft close slim seat cover	LYS-WHT-38103UF
Floor fixing screw	ZPS-SNS-FB01
Wax Seal	ZPS-WHT-1401

CERTIFICATION

Compliance : EN 997:2012 + A1:2015 (E), SANS 497 : 2011
 All technical dimensions are in accordance to British standards, Bureau of Indian Standards



DISCLAIMER: Our every effort has been made to ensure factual accuracy, the information presented subject to changes due to requirements in different sites, markets and/ or countries. All dimensions are in mm (Tolerance ± 5 MM). Jaquar reserves the right to make the necessary amendments at any time without prior notice.