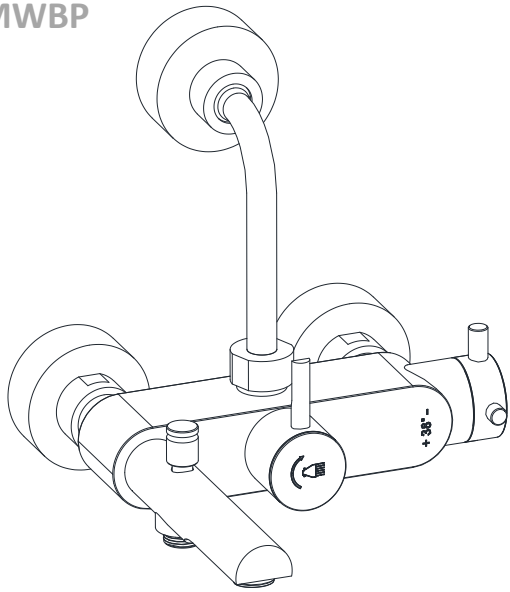
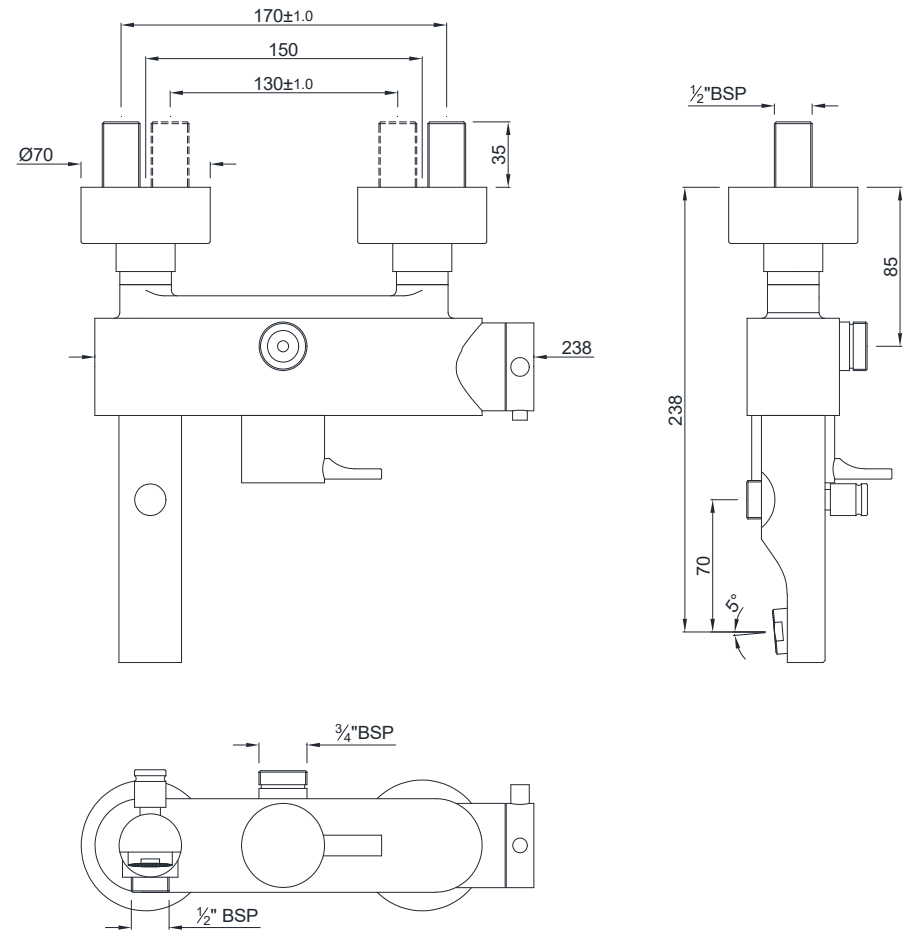




FLP-5663PMWBP



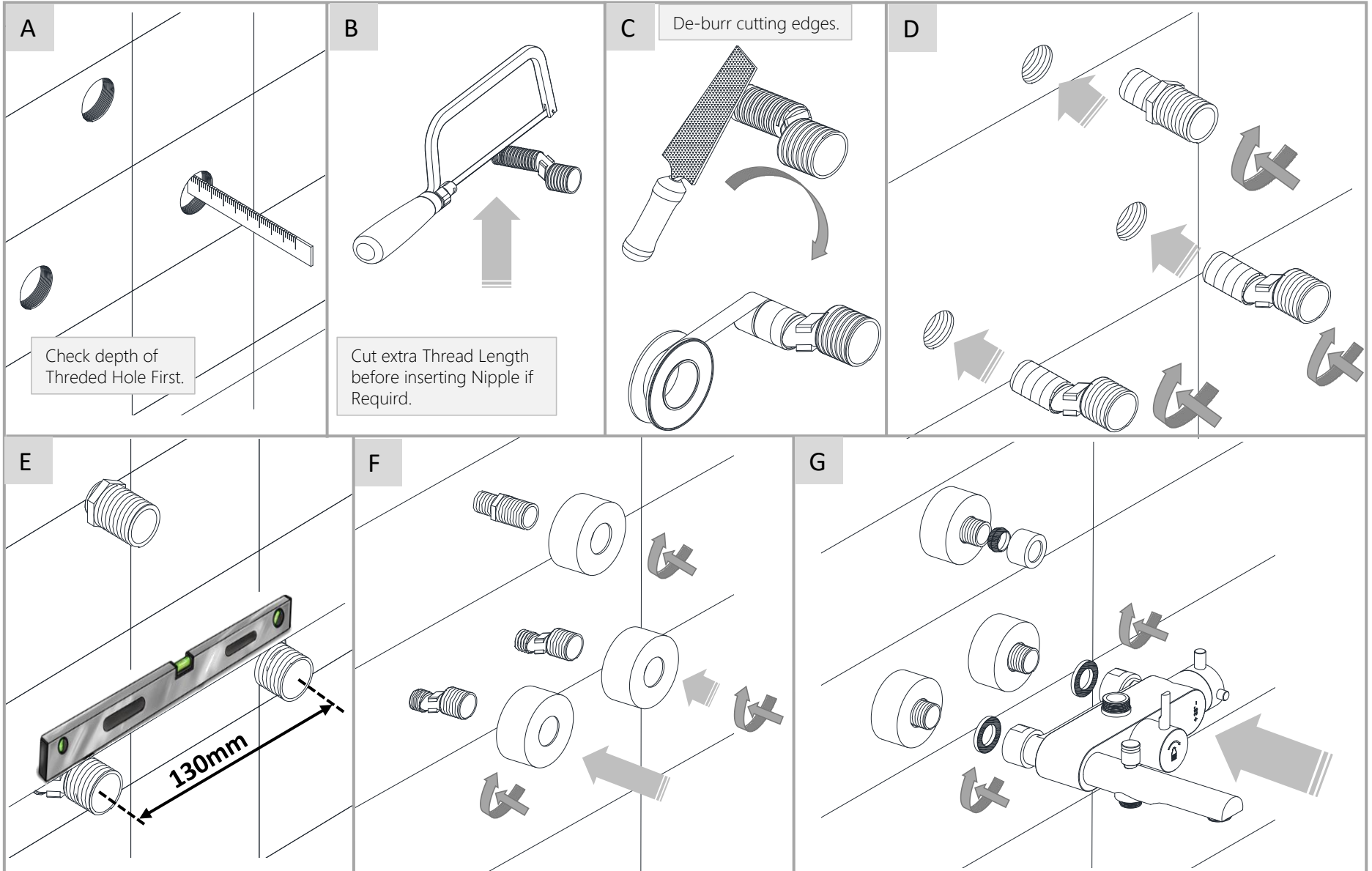
TECHNICAL DRAWING



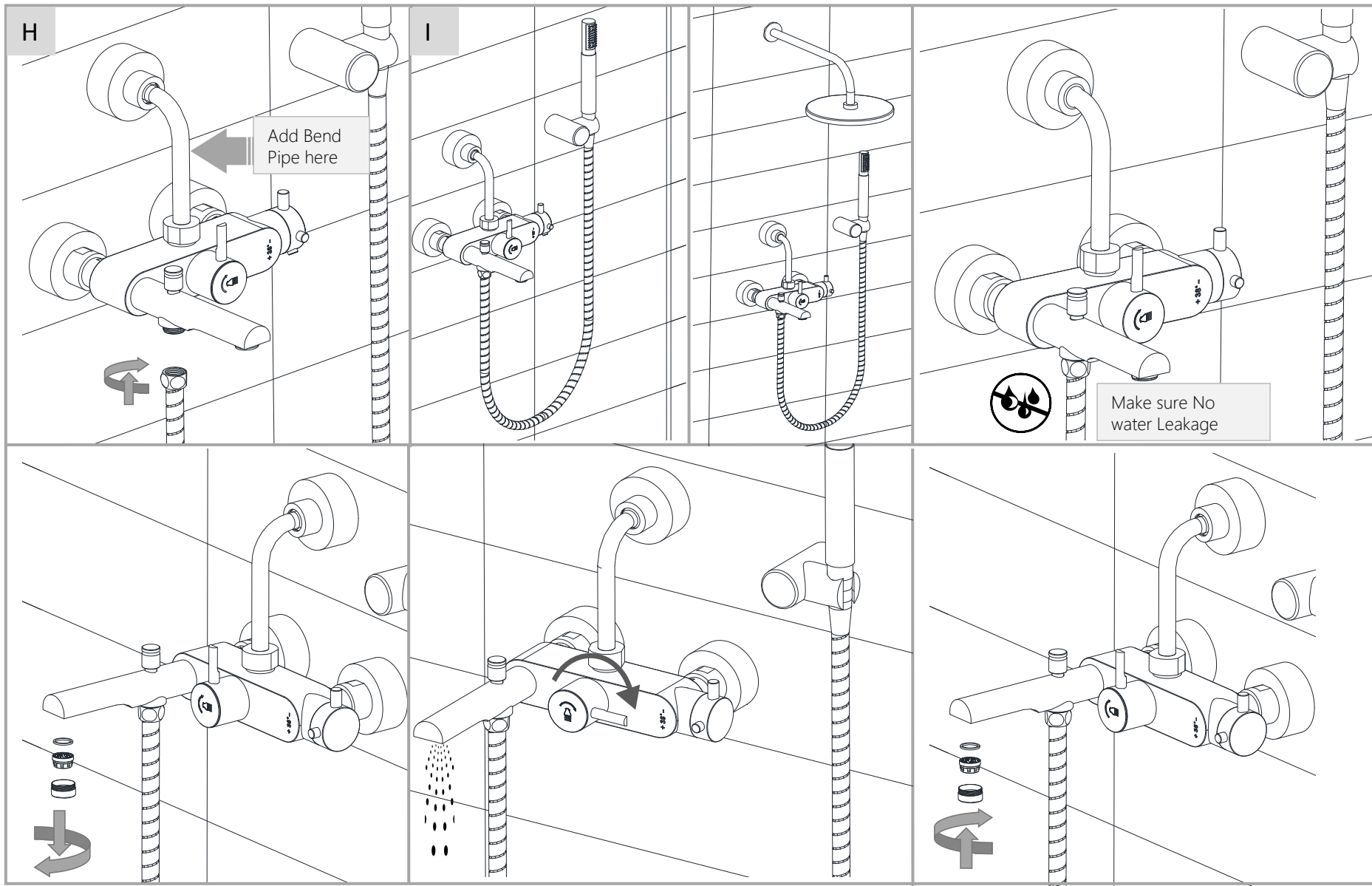
TEMP. & WATER PRESSURE REQUIREMENTS

	Working Pressure: 1~3 bar
	Required Temperature: 5-65°C

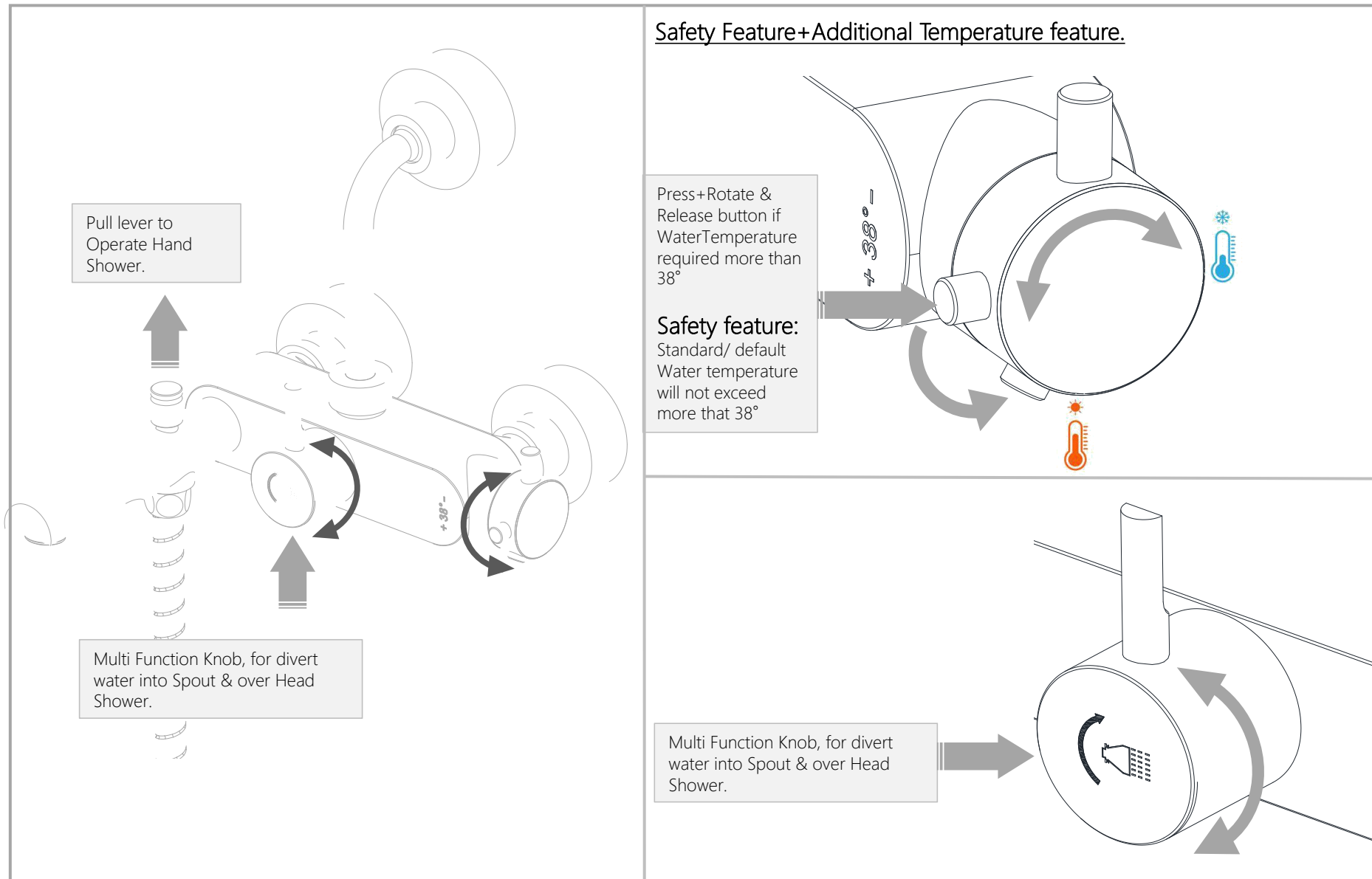
Note: Above are the recommended values for getting Conventional Output.

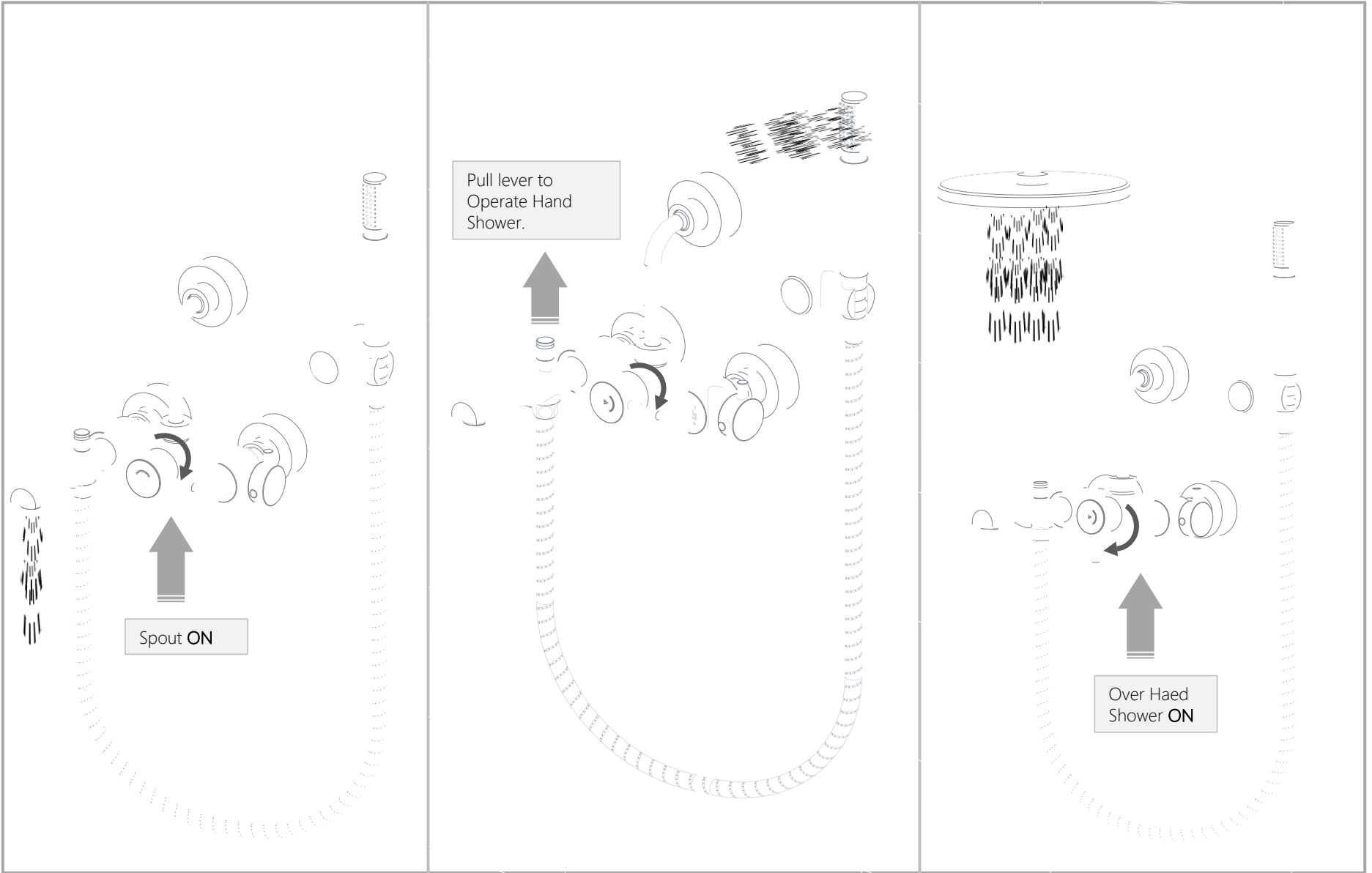


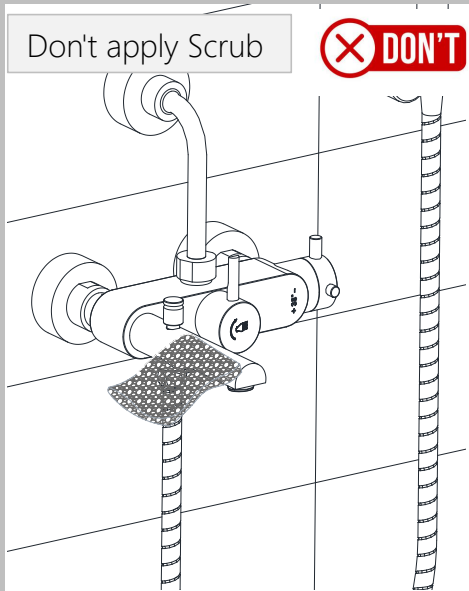
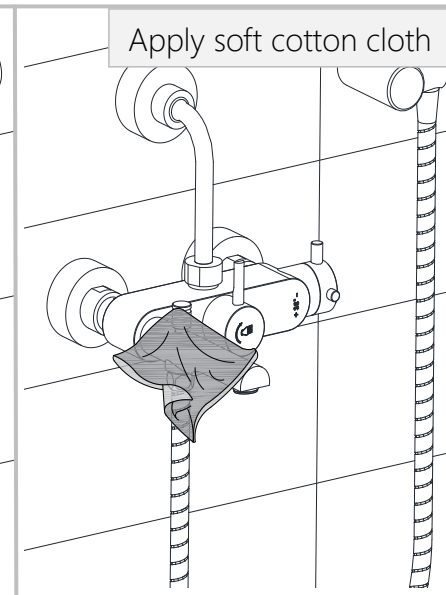
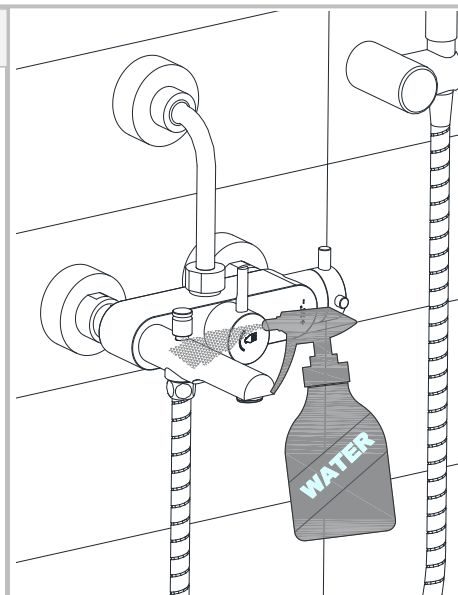
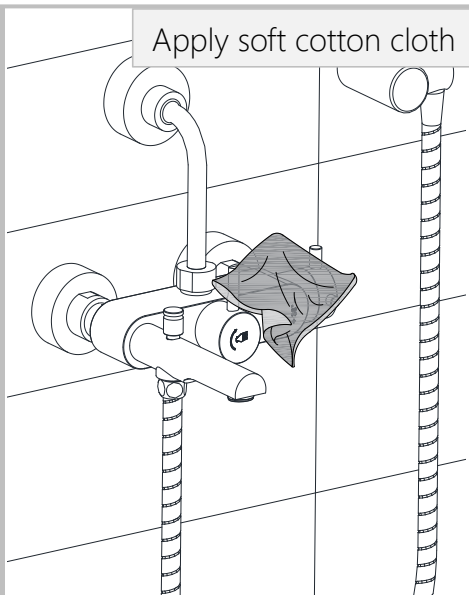
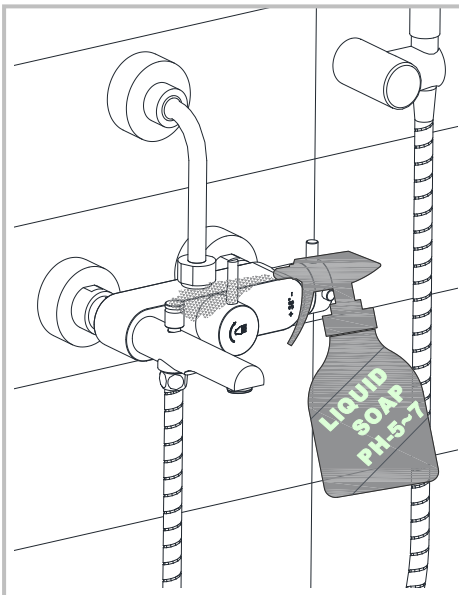
HOW TO INSTALL



MULTI FUNCTION KNOB & SAFETY FEATURE







Steps & Cleaning agents requirements for Aerator Cleaning.

