



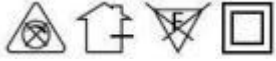
### LED UP & DOWN WALL LIGHT 6W

Outdoor Luminaire

Product Code:

LWWL03X203XW

6W - 330lm - 3000K - CRI>80 Ra - Beam Angle - 120°



### Technical Specifications

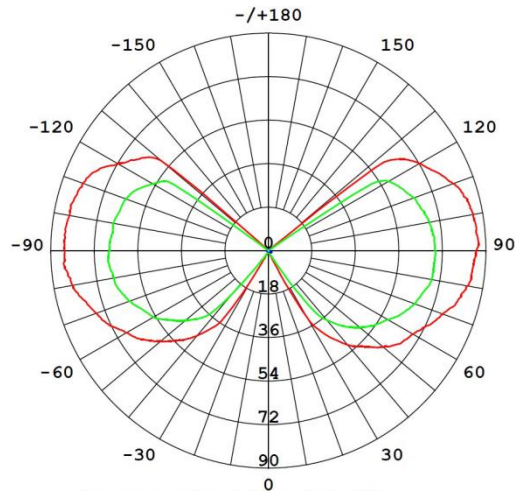
Operating Temperature	-10°C to 50°C
Rated Input Voltage & Frequency	220-240 V AC
Rated Input Wattage	6W ± 10%
Rated Input Current	0.030 Amp (Nominal)
Power Factor	>0.9
Rated Luminous Flux	330 lm (tolerance as per BIS)
Rated Luminaire Efficacy	55 lm/W (tolerance as per BIS)
Correlated Color Temperature (CCT)	3000 K (tolerance as per ANSI)
Color Rendering Index (CRI)	>80 Ra
Driver Efficiency	≥80%
LED Life Span	>50000 Hrs (Ta=25°C @L70)
Housing	Aluminium Die Cast with Powder Coating
Lens / Reflector	Transparent Glass Diffuser
Mounting	Surface/Wall

### Protections

Over Voltage Protection	Withstand up to 300V/AC for 4 Hrs..
Surge Protection	±2.0KV
Ingress Protection (IP Rating)	IP54
Impact Protection (IK Rating)	IK08
Short Circuit Protection	Provided
Open Circuit Protection (No Load)	Provided
Reverse Polarity Protection	Provided

All technical data is subject to industry-standard tolerances.

## Light Distribution

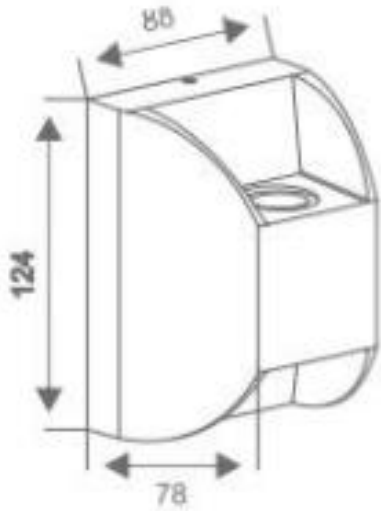


## UGR Table

ceiling/cavity	0.7	0.7	0.5	0.5	0.3	0.7	0.7	0.5	0.5	0.3
walls	0.5	0.3	0.5	0.3	0.3	0.5	0.3	0.5	0.3	0.3
working plane	0.2	0.2	0.2	0.2	0.2	0.2	0.2	0.2	0.2	0.2
Room dimensions	Viewed crosswise					Viewed endwise				
x = 2H y = 2H	17.3	18.5	18.1	19.4	20.4	0.3	1.5	1.0	2.4	3.4
3H	21.3	22.4	22.1	23.3	24.4	-0.1	1.1	0.7	1.9	3.0
4H	23.5	24.6	24.3	25.5	26.6	-0.3	0.8	0.5	1.7	2.8
6H	25.9	26.9	26.7	27.8	28.9	-0.5	0.6	0.4	1.5	2.6
8H	27.2	28.2	28.0	29.1	30.2	-0.6	0.5	0.3	1.4	2.5
12H	28.6	29.6	29.4	30.5	31.6	-0.6	0.3	0.2	1.2	2.4
4H 2H	17.7	18.8	18.5	19.6	20.7	11.7	12.8	12.5	13.7	14.8
3H	22.0	23.0	22.9	23.9	25.0	12.0	13.0	12.9	13.9	15.1
4H	24.4	25.3	25.3	26.2	27.4	11.9	12.8	12.7	13.7	14.8
6H	27.0	27.9	27.9	28.8	30.0	11.7	12.5	12.6	13.4	14.6
8H	28.5	29.2	29.4	30.2	31.4	11.6	12.4	12.5	13.3	14.5
12H	30.1	30.8	31.0	31.7	32.9	11.5	12.2	12.4	13.2	14.4
8H 4H	24.6	25.4	25.5	26.3	27.5	16.9	17.7	17.8	18.6	19.8
6H	27.6	28.3	28.6	29.3	30.5	16.8	17.4	17.7	18.4	19.6
8H	29.3	29.9	30.3	30.9	32.1	16.7	17.3	17.6	18.2	19.5
12H	31.2	31.7	32.2	32.7	34.0	16.6	17.1	17.5	18.1	19.3
12H 4H	24.5	25.2	25.4	26.2	27.4	18.9	19.6	19.8	20.5	21.7
6H	27.6	28.3	28.6	29.2	30.4	19.4	20.0	20.3	20.9	22.2
8H	29.5	30.0	30.4	31.0	32.2	19.3	19.8	20.2	20.8	22.1
Variations with the observer position at spacings (CIE Pub.117):										
S = 1.0H	+ 0.1 / - 0.1					+ 0.0 / - 0.0				
1.5H	+ 0.3 / - 0.3					+ 0.3 / - 0.2				
2.0H	+ 0.3 / - 0.4					+ 0.7 / - 1.1				

## Product Dimensions (L x W x H)

88 X 78 X 124 mm (Tol.±5 mm)



## Applications

Residences, Offices, Small Retail Shops, Hotels, Coffee Shops, Restaurants, Hospitals, area lighting and for other outdoor applications.