



BATH + LIGHT

SPIKE LIGHT 4W

Luminz LED Spike Light

Outdoor Luminaire

Product Code:

LSPK03R104XW

4W - 200lm - 3000K - CRI>70 Ra - Beam Angle - 20°



Technical Specifications

Operating Temperature	-10°C to 50°C
Rated Input Voltage & Frequency	220-240 V AC
Rated Input Wattage	4W ± 10%
Rated Input Current	0.065 Amp (Nominal)
Power Factor	>0.5
Rated Luminous Flux	200 lm (tolerance as per BIS)
Rated Luminaire Efficacy	50 lm/W (tolerance as per BIS)
Correlated Color Temperature (CCT)	3000 K (tolerance as per ANSI)
Color Rendering Index (CRI)	>70 Ra
Beam Angle	20° (within the permissible limits)
Driver Efficiency	≥70%
LED Life Span	>50000 Hrs (Ta=25°C @L70)
Housing	Aluminium Die Cast with Powder Coating
Lens / Reflector	Lens and Transparent Tempered Glass Diffuser
Mounting	Ground

Protections

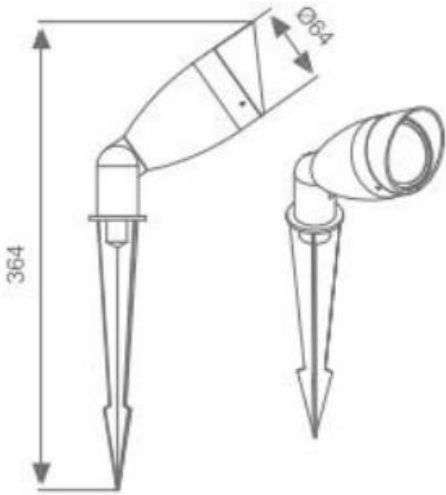
Over Voltage Protection	300 V AC upto 20 Min.
Surge Protection	±2.0KV
Protection Class	Class I
Ingress Protection (IP Rating)	IP65
Impact Protection (IK Rating)	IK07
Short Circuit Protection	Provided
Open Circuit Protection (No Load)	Provided
Reverse Polarity Protection	Provided



All technical data is subject to industry-standard tolerances.

Product Dimensions (Dia.x H)

Ø64 X 364 mm (tol.±5 mm)



Applications

Residences, Offices, Small Retail Shops, Hotels, Coffee Shops, Restaurants, Hospitals, area lighting and for other outdoor applications.