

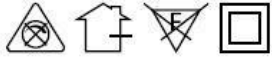
### ORELLI SLIM 18W

Orelli Slim Magnetic Track Light

Indoor Luminaire

Product Code:

LORLS24R18XC / LORLS24R18XN / LORLS24R18XW  
18W - 1260lm - 6500K - CRI>80 Ra - Beam Angle 24°



### Technical Specifications

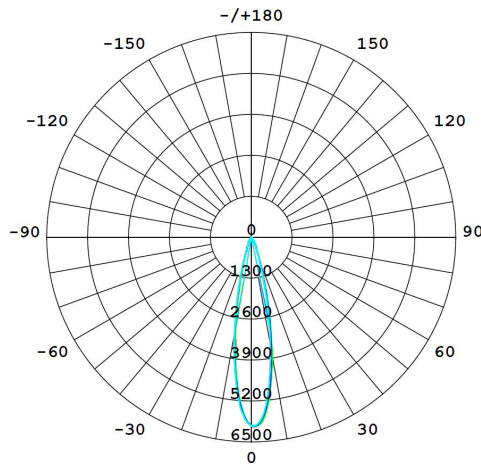
Operating Temperature	-10°C to 45°C
Rated Input Voltage & Frequency	48V DC
Rated Input Wattage	18W ± 10%
Rated Input Current	0.380 Amp (Nominal)
Rated Luminous Flux	1260 lm / 1170 lm / 1080 lm (tolerance as per BIS)
Rated Luminaire Efficacy	70 lm/W / 65 lm/W / 60 lm/W (tolerance as per BIS)
Correlated Color Temperature (CCT)	6500 K / 4000 K / 3000 K (tolerance as per ANSI)
Color Rendering Index (CRI)	>80 Ra
Beam Angle	24° (within the permissible limits)
Driver Efficiency	≥88%
LED Life Span	>50000 Hrs (Ta=25°C @L70)
Housing	Die Cast Aluminium & Polycarbonate
Lens / Reflector	Polycarbonate Clear Diffuser with Lens
Mounting	Surface with Magnetic Track Channel

### Protections

Surge Protection	±2.0KV
Ingress Protection (IP Rating)	IP20
Short Circuit Protection	Provided
Open Circuit Protection (No Load)	Provided
Reverse Polarity Protection	Provided

All technical data is subject to industry-standard tolerances.

## Light Distribution

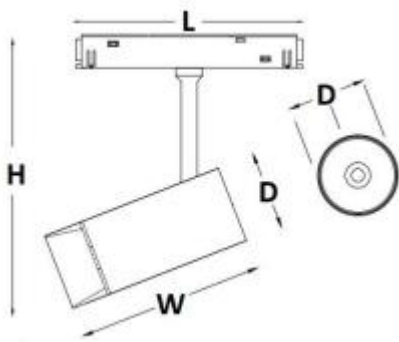


## UGR Table

ceiling/cavity	0.7	0.7	0.5	0.5	0.3	0.7	0.7	0.5	0.5	0.3	
walls	0.5	0.3	0.5	0.3	0.3	0.5	0.3	0.5	0.3	0.3	
working plane	0.2	0.2	0.2	0.2	0.2	0.2	0.2	0.2	0.2	0.2	
Room dimensions	Viewed crosswise					Viewed endwise					
x = 2H y = 2H	14.9	15.5	15.1	15.7	15.8	14.7	15.3	14.9	15.5	15.6	
3H	14.7	15.3	15.0	15.5	15.7	14.5	15.1	14.8	15.3	15.5	
4H	14.7	15.2	14.9	15.4	15.6	14.4	15.0	14.7	15.2	15.4	
6H	14.6	15.1	14.8	15.3	15.6	14.4	14.9	14.6	15.1	15.4	
8H	14.5	15.1	14.8	15.3	15.5	14.3	14.8	14.6	15.1	15.3	
12H	14.5	15.0	14.8	15.2	15.5	14.3	14.8	14.6	15.0	15.3	
4H	2H	14.7	15.3	14.9	15.5	15.7	14.5	15.0	14.7	15.3	15.5
3H	14.5	15.0	14.8	15.3	15.5	14.3	14.8	14.6	15.1	15.3	
4H	14.4	14.9	14.7	15.2	15.5	14.2	14.7	14.5	15.0	15.3	
6H	14.3	14.7	14.7	15.0	15.4	14.1	14.5	14.5	14.8	15.2	
8H	14.2	14.6	14.6	15.0	15.3	14.0	14.4	14.4	14.8	15.1	
12H	14.2	14.5	14.6	14.9	15.3	14.0	14.3	14.4	14.7	15.1	
8H	4H	14.2	14.6	14.6	15.0	15.3	14.0	14.4	14.4	14.8	15.1
6H	14.1	14.5	14.6	14.8	15.3	13.9	14.2	14.3	14.6	15.0	
8H	14.1	14.4	14.5	14.8	15.2	13.9	14.1	14.3	14.6	15.0	
12H	14.0	14.3	14.5	14.7	15.2	13.8	14.0	14.3	14.5	15.0	
12H	4H	14.2	14.5	14.6	14.9	15.3	14.0	14.3	14.4	14.7	15.1
6H	14.1	14.4	14.5	14.8	15.2	13.9	14.1	14.3	14.6	15.0	
8H	14.0	14.3	14.5	14.7	15.2	13.8	14.0	14.3	14.5	15.0	
Variations with the observer position at spacings (CIE Pub.117):											
S = 1.0H	+ 2.7 / -10.4					+ 2.5 / -10.1					
1.5H	+ 4.2 / - 6.3					+ 4.0 / - 5.9					
2.0H	+ 5.6 / -23.1					+ 5.3 / -19.2					

## Product Dimensions (L x W x H), Light Dia. (D)

118 X 125 X 150 mm (Tol.  $\pm 5$  mm),  $\text{\O}60$  mm (Tol.  $\pm 2$  mm)



## Applications

Residences, Offices, Small Retail Shops, Hotels, Coffee Shops, Restaurants, Hospitals, area lighting and for other indoor applications.