



FSS-WHT-29853S300UFSM

SPECIFICATION DATA SHEET

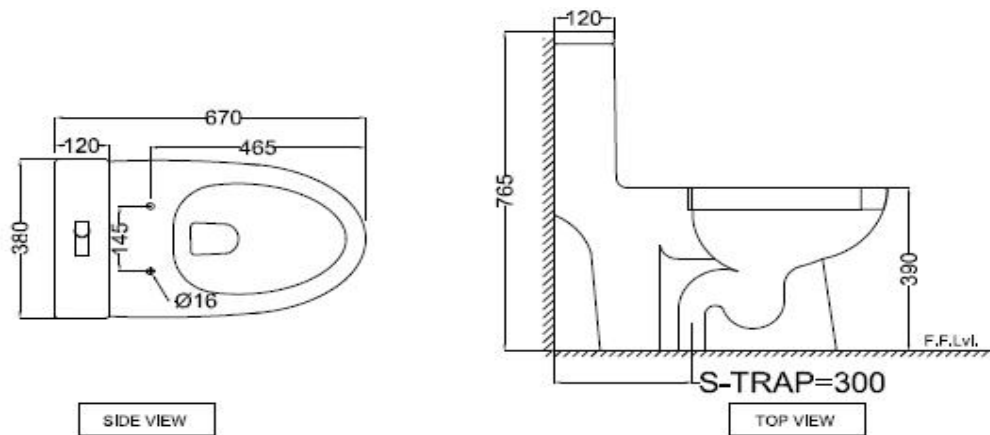
PRODUCT DETAILS

Manufacturer :	Jaquar	Type:	Single piece-WC (S trap)
Colour:	White	Flush	Dual & Flush
Outlet	Vertical	Material:	Ceramic - Vitreous China
Technical Details:	External diameter of outlet hole dia. \varnothing 80 mm Horizontal distance between the wall line and the centre line of the waste outlet hole \leq 300 mm		

PRODUCT IMAGE



TECHNICAL DRAWING



Product Dimension	380x670x765 mm	FEATURES Rimless WC with UF slim seat cover, Siphonic Flushing, Dual Flush-2.6/4.6 LPF, Anti germ glaze.
Trap Distance	S Trap - 300 mm	
Product Weight	41.5 kg	
ACCESSORIES INCLUDED		
UF soft Close seat cover		FSS-WHT-29103UF
Floor fixing screw		ZPS-SNS-FB01
Wax Seal		ZPS-WHT-1401

CERTIFICATION

Compliance : EN 997 :2012+A1 2015 (E) SANS 497:2011 ,MS 1522: 2015, MS 795--2019 & MS 147 : 2001,SASO 06-04-16-156



All technical dimensions are in accordance to British standards, Bureau of Indian Standards

DISCLAIMER: Our every effort has been made to ensure factual accuracy, the information presented subject to changes due to requirements in different sites, markets and/ or countries. All dimensions are in mm (Tolerance \pm 5 MM). Jaquar reserves the right to make the necessary amendments at any time without prior notice.