



KUS-WHT-35601

SPECIFICATION DATA SHEET

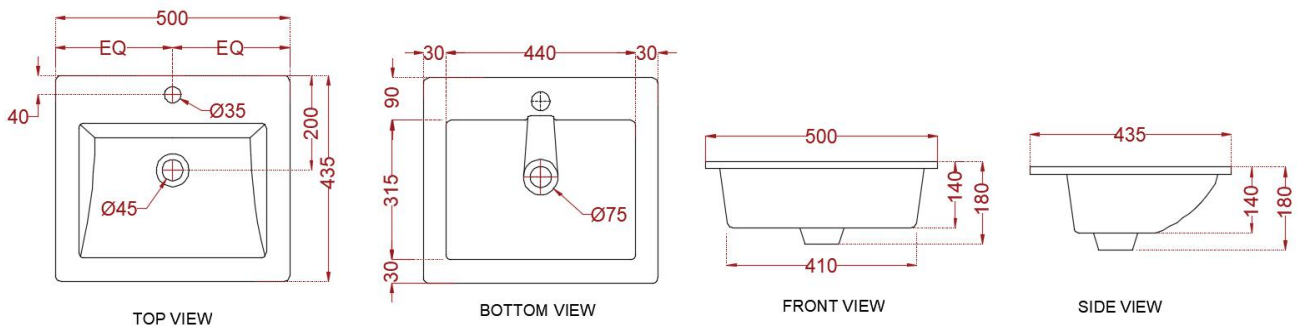
PRODUCT DETAILS

Manufacturer :	Jaquar	Type:	Counter top basin
Outlet	Vertical	Colour:	White
Technical Details:	Tap hole dia. $\varnothing 35 \pm 2$ mm	Material:	Ceramic - Vitreous China
	ID of waste outlet hole dia. $\varnothing 45 \pm 3$ mm		
Horizontal distance between the centre line of the tap hole and the centre line of the waste outlet hole ≤ 160 mm			

PRODUCT IMAGE



TECHNICAL DRAWING



Product Dimension	500x435x180 mm	FEATURES Rectangular counter top with tap hole and over flow hole, Anti germ glaze
Basin Inner Dimension	400x285x125 mm	
Product Weight	10.0 kg	

ACCESSORIES INCLUDED

Overflow hole Cap	ZPS-WHT-9012B
Template	Template

CERTIFICATION

Compliance : EN 997 :2012+A1 2015 (E) ,MS 2578: 2014, AMD. 1: 2017,SANS 497:2011



All technical dimensions are in accordance to British standards, Bureau of Indian Standards

DISCLAIMER: Our every effort has been made to ensure factual accuracy, the information presented subject to changes due to requirements in different sites, markets and/ or countries. All dimensions are in mm (Tolerance ± 5 MM). Jaquar reserves the right to make the necessary amendments at any time without prior notice.